



STAINLESS STEEL MANIFOLDS



Stainless Steel manifold

Specifications

Material304 Stainless Steel
 Temperature Rating...up to 250°F (121°C)
Maximum Working Pressure Ratings
 Gas (air, inert gas).....125 psig
 Liquid (oil, water, benign fluids)....250 psig

Optional Ball Valveslarge port brass
 to match port size

Optional Flowmeters
 with temperature gauges
 with pressure and temperature gauges
 flow rate options:
 1.5 gallons per minute
 2.5 gallons per minute
 8.0 gallons per minute
 10 liters per minute
 30 liters per minute
 Other flow rate options are available with
 non-standard port spacing. Please contact
 the factory for details.

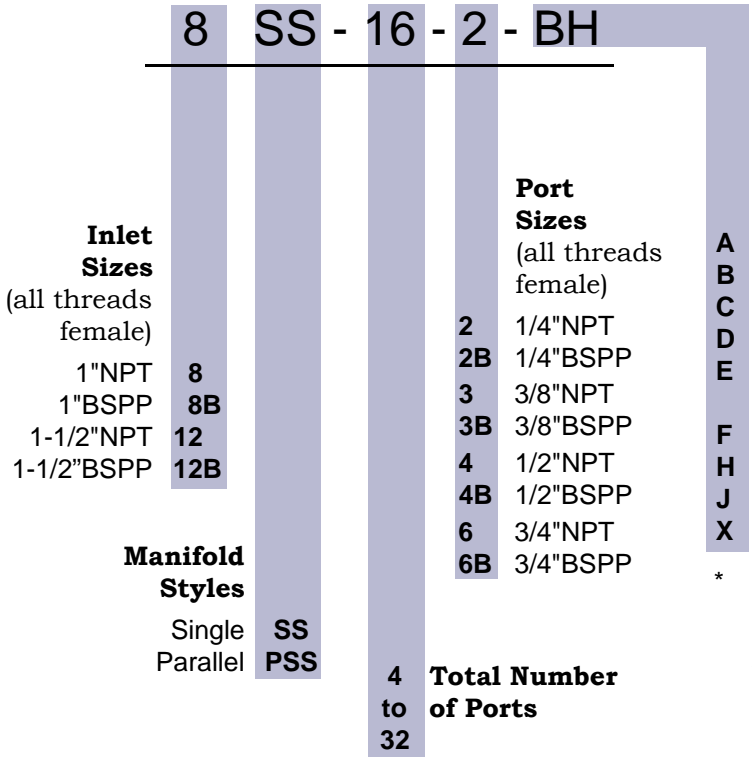
General Description

Smartflow® stainless steel manifolds are formed and welded from 304 stainless steel. The manifolds are 100% leak tested for quality assurance before shipping.

Smartflow stainless steel manifolds are excellent for high-flow applications where durability is important. Manifold bodies are made from 1-1/2" or 2" square tube to allow maximum flow. Custom modifications are easily handled to provide the exact configuration you need.

Model Number

Contact the factory for other thread styles and sizes.



Accessories (add accessory designators to the end of the model number as needed)

- A** Manifold only
- B** Ball Valves only
- C** Ball Valves and Plain Flowmeters *
- D** Ball Valves and Flowmeters with Thermometers *
- E** Ball valves and Flowmeters with Thermometers and Pressure Gauges *
- F** Plain Flowmeters only *
- H** Quick Connect Plugs, same size as manifold port
- J** Hose barsbs, same size as manifold port
- X** Special

* See page 15 for flowmeter information. Specify flow rate when ordering. Custom port spacing is required when using 1/4" ports with flowmeters.

Design and specifications are subject to change without notice. See page 35 for special manifold pressure rating notes.

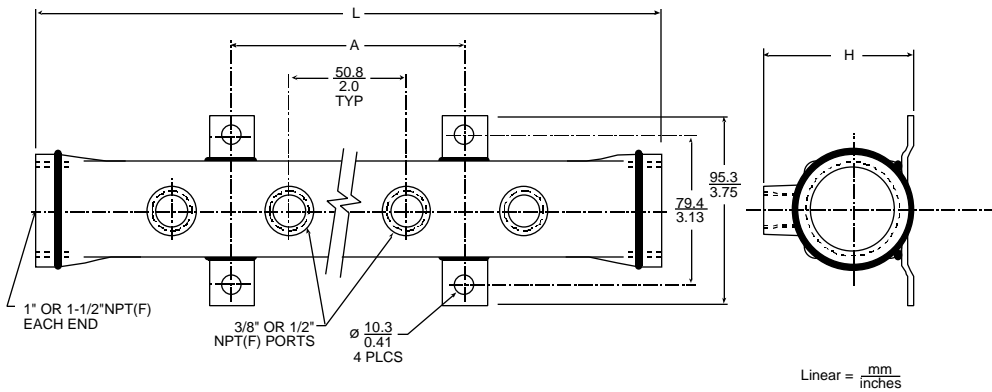


STAINLESS STEEL MANIFOLDS

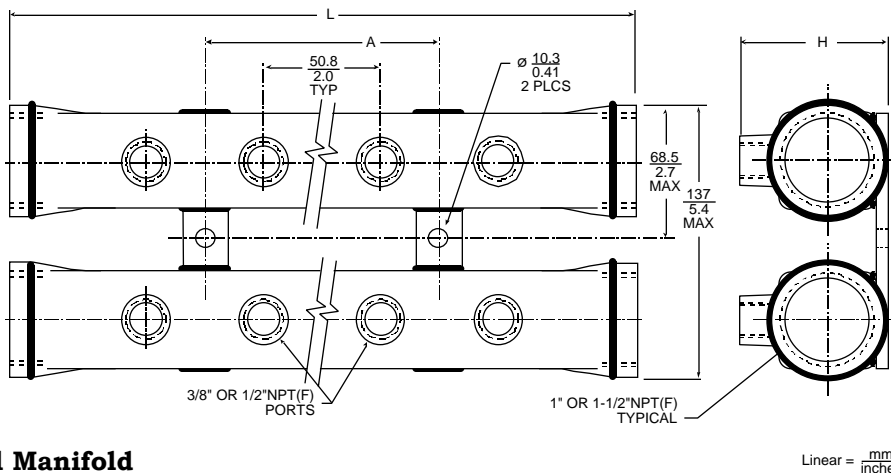
Model Numbers and Dimensions

	Single Manifolds	Parallel Manifolds	Dimension A	Dimension L	Dimension H
1" Inlet	8SS - 4 - □ - A	8PSS - 8 - □ - A	102mm / 4"	286mm / 11.25"	64mm 2.5" max.
	8SS - 6 - □ - A	8PSS - 12 - □ - A	203mm / 8"	387mm / 15.25"	
	8SS - 8 - □ - A	8PSS - 16 - □ - A	305mm / 12"	489mm / 19.25"	
	8SS - 10 - □ - A	8PSS - 20 - □ - A	406mm / 16"	591mm / 23.25"	
	8SS - 12 - □ - A	8PSS - 24 - □ - A	508mm / 20"	692mm / 27.25"	
	8SS - 14 - □ - A	8PSS - 28 - □ - A	610mm / 24"	794mm / 31.25"	
8SS - 16 - □ - A	8PSS - 32 - □ - A	711mm / 28"	895mm / 35.25"		
1-1/2" Inlet	12SS - 4 - □ - A	12PSS - 8 - □ - A	102mm / 4"	299mm / 11.75"	76mm 3" max.
	12SS - 6 - □ - A	12PSS - 12 - □ - A	203mm / 8"	400mm / 15.75"	
	12SS - 8 - □ - A	12PSS - 16 - □ - A	305mm / 12"	502mm / 19.75"	
	12SS - 10 - □ - A	12PSS - 20 - □ - A	406mm / 16"	603mm / 23.75"	
	12SS - 12 - □ - A	12PSS - 24 - □ - A	508mm / 20"	705mm / 27.75"	
	12SS - 14 - □ - A	12PSS - 28 - □ - A	610mm / 24"	806mm / 31.75"	
12SS - 16 - □ - A	12PSS - 32 - □ - A	711mm / 28"	908mm / 35.75"		

□ = port thread size [3 = 3/8"NPT(F) or 4 = 1/2"NPT(F)]



Single Manifold



Parallel Manifold

Dimensions shown are for manifolds with NPT threads only. Contact the factory for manifold dimensions with BSP threads.

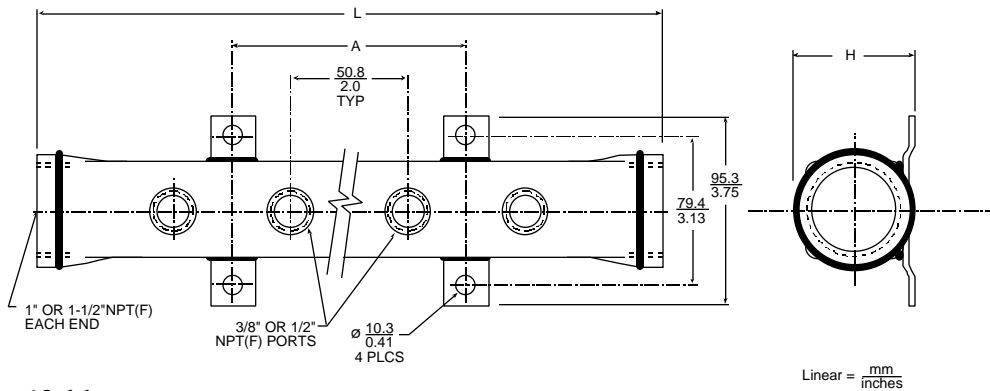


STAINLESS STEEL MANIFOLDS with Low-Profile Ports

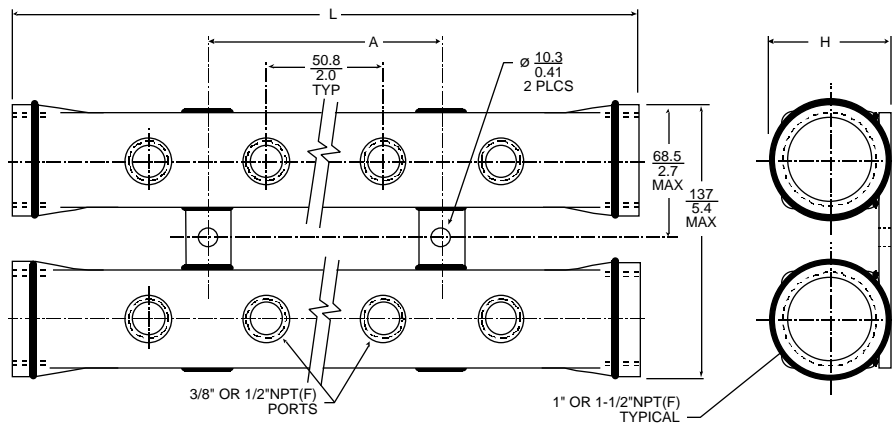
Model Numbers and Dimensions

	Single Manifolds	Parallel Manifolds	Dimension A	Dimension L	Dimension H
1" Inlet	8SL - 4 - □ - A	8PSL - 8 - □ - A	102mm / 4"	283mm / 11.13"	51mm 2" max.
	8SL - 6 - □ - A	8PSL - 12 - □ - A	203mm / 8"	384mm / 15.13"	
	8SL - 8 - □ - A	8PSL - 16 - □ - A	305mm / 12"	486mm / 19.13"	
	8SL - 10 - □ - A	8PSL - 20 - □ - A	406mm / 16"	587mm / 23.13"	
	8SL - 12 - □ - A	8PSL - 24 - □ - A	508mm / 20"	689mm / 27.13"	
	8SL - 14 - □ - A	8PSL - 28 - □ - A	610mm / 24"	791mm / 31.13"	
8SL - 16 - □ - A	8PSL - 32 - □ - A	711mm / 28"	892mm / 35.13"		
1-1/2" Inlet	12SL - 4 - □ - A	12PSL - 8 - □ - A	102mm / 4"	283mm / 11.13"	64mm 2.5" max.
	12SL - 6 - □ - A	12PSL - 12 - □ - A	203mm / 8"	384mm / 15.13"	
	12SL - 8 - □ - A	12PSL - 16 - □ - A	305mm / 12"	486mm / 19.13"	
	12SL - 10 - □ - A	12PSL - 20 - □ - A	406mm / 16"	587mm / 23.13"	
	12SL - 12 - □ - A	12PSL - 24 - □ - A	508mm / 20"	689mm / 27.13"	
	12SL - 14 - □ - A	12PSL - 28 - □ - A	610mm / 24"	791mm / 31.13"	
12SL - 16 - □ - A	12PSL - 32 - □ - A	711mm / 28"	892mm / 35.13"		

□ = port thread size [3 = 3/8"NPT(F) or 4 = 1/2"NPT(F)]



Single Manifold



Parallel Manifold