



SWAP[®] VALVE

Purge Cooling Water using Shop Air

TACO[®] 4900 Series Air Separators

TACO 4900 Series Air Separators are designed for the complete elimination of air from closed loop water circulating systems. Small air bubbles and micro-bubbles adhere to surfaces on pall rings in the water path and join together to form larger air bubbles. The combined bubbles travel up through the water and into the conical air chamber to be released by the vent at the top.

Recommended for use with **SMARTFLOW SWAP Valve** in a closed loop cooling water system.

Specifications

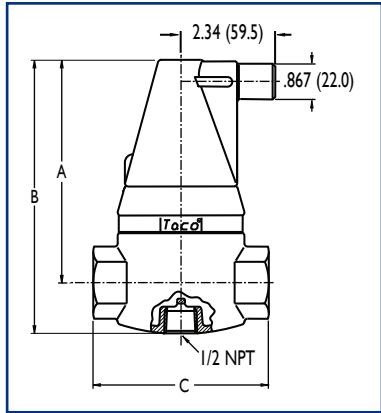
Connection Sizes	1" & 2"NPT(F)
Housing Material	Brass
Pall Ring Material	Stainless Steel
Venting Unit Materials	Stainless Steel
	EPDM, Viton, Engineered Plastics
Operating Pressure Max	150psi (10bar)
Operating Temperature Max	240°F (115°C)
Operating Temperature Min	25°F (-4°C)
Media	Water or Water/Glycol
Max. Velocity	5ft/sec



Dimensions & Weights

Model Number	Connection Size	A	B	C	Weight	
					kg	lbs.
49-100	1"	5-1/2" 139mm	6-3/4" 171mm	4-3/8" 111mm	2	4.5
49-200	2"	6-5/8" 169mm	8-7/16" 214mm	5-3/16" 13mm	2.7	6.0

TACO[®] is a registered trademark of Taco, Inc.



4500 E 142nd Street ♦ Grandview, MO 64030 USA
 Tel: 816-878-6675
 www.smartflow-usa.com