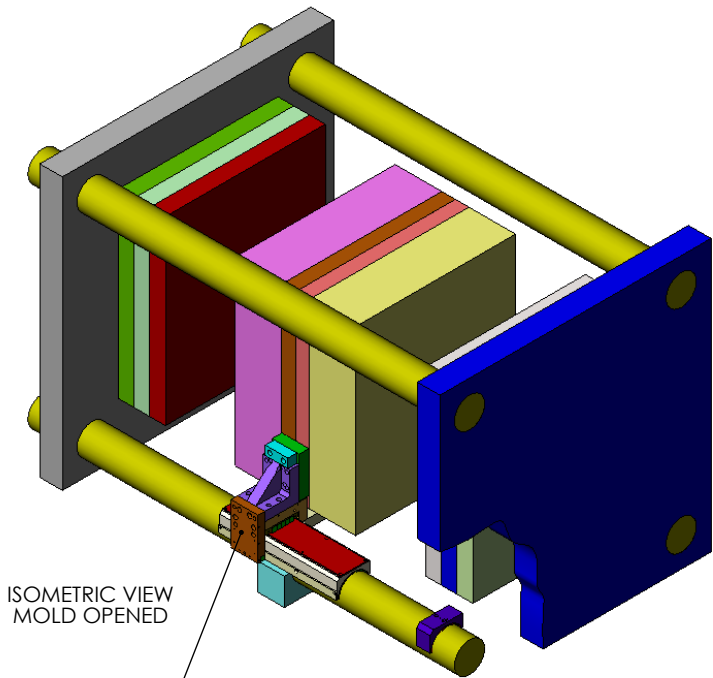


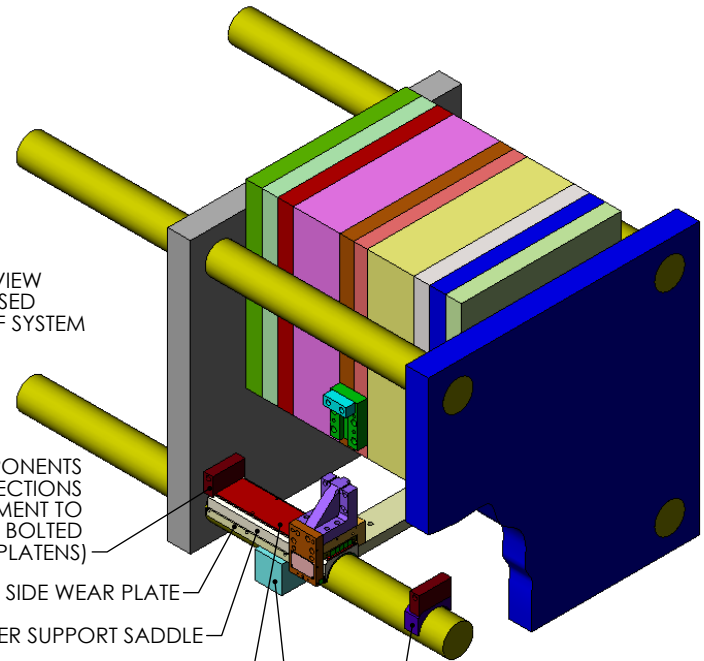
GREASELESS MOLD CARRIER & ALIGNMENT SYSTEM



ISOMETRIC VIEW
MOLD OPENED

THIS MECHANISM SUPPORTS & PRECISELY ALIGNS THE CENTER SECTION OF THE MOLD WITH THE FRONT & BACK SECTIONS OF THE MOLD. THIS ALIGNMENT IS MAINTAINED EACH CYCLE USING THE GREASELESS ROLLING FEATURE.

ISOMETRIC VIEW
MOLD CLOSED
LIFTED UP OFF OF SYSTEM



ALIGNMENT GUIDE (THESE COMPONENTS GUIDE THE FRONT AND BACK SECTIONS OF THE MOLD TO PRECISE ALIGNMENT TO EACH OTHER BEFORE THE MOLD IS BOLTED TO THE MACHINE PLATENS)

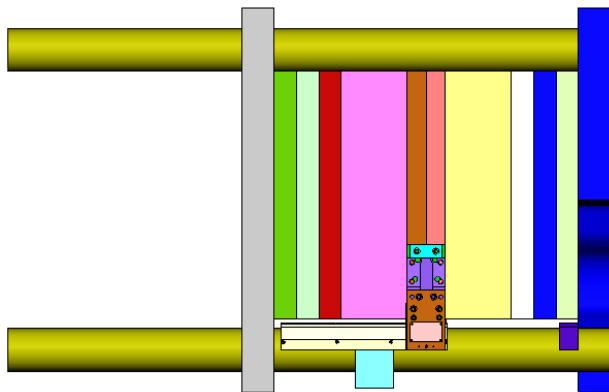
SIDE WEAR PLATE

ROLLER SUPPORT SADDLE

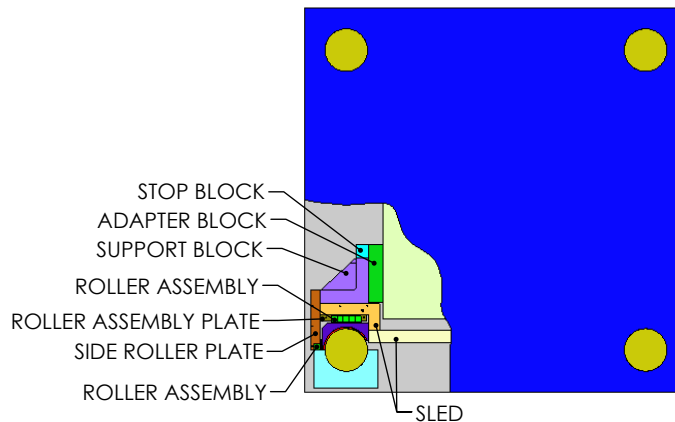
TOP WEAR PLATE

FRONT ALIGNMENT SADDLE

TIE ROD SUPPORT (THE TIE ROD SUPPORTS FIT UNDER THE BOTTOM TIE RODS & THE MOLD MACHINE BASE. THE SUPPORT BLOCKS CENTER THE TIE ROD IN THE MOLDING MACHINE MOVING PLATEN BUSHINGS & PREVENTS TIE ROD SAG CAUSED FROM THE MOLD WEIGHT)



SIDE VIEW
MOLD CLOSED



FRONT VIEW
FRONT ALIGNMENT
SADDLE REMOVED

MANUFACTURED BY:
BURGER & BROWN ENGINEERING, INC.
GRANDVIEW, MO 64030

US PATENT NO. 5772420
CANADIAN PATENT NO. 2216192
www.greaselessconcepts.com